

# Technical data sheet



## Product features

### Hot dog machine 1 spike

<b>Model</b>	<b>SAP Code</b>	00001447
--------------	-----------------	----------

- Material: Aluminium
- Indicators: operation and warm-up
- Maximum device temperature [°C]: 100

<b>SAP Code</b>	00001447	<b>Net Weight [kg]</b>	2.07
<b>Net Width [mm]</b>	210	<b>Power electric [kW]</b>	0.100
<b>Net Depth [mm]</b>	219	<b>Loading</b>	230 V / 1N - 50 Hz
<b>Net Height [mm]</b>	241	<b>Maximum device temperature [°C]</b>	100

# Technical data sheet



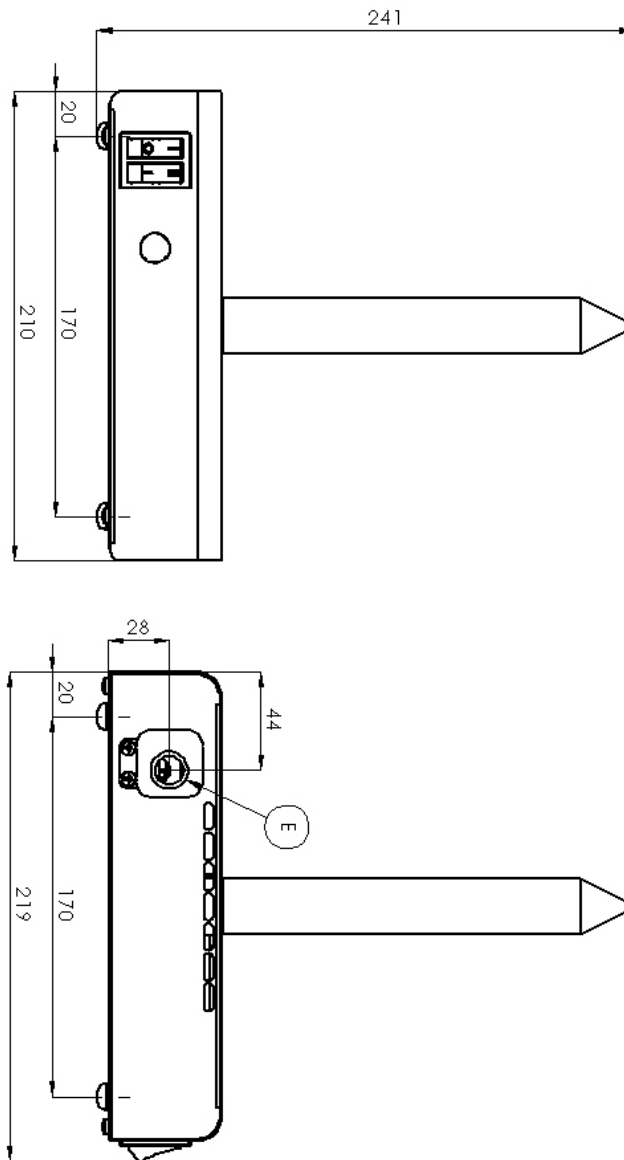
Technical drawing

Hot dog machine 1 spike

Model

SAP Code

00001447



# Technical data sheet



## Product benefits

### Hot dog machine 1 spike

Model

SAP Code

00001447

1

#### All-stainless design

only stainless steel intended for food contact is used

- absolutely rust-proof and non-magnetic design
- resists even weak acids easier compliance with hygiene standards (HACCP); easy maintenance and cleaning

2

#### Run and warm-up light

optical possibility to check the status of the device

- the operator immediately knows the on/off, heating/ non-heating state of the appliance

3

#### Heating mandrels made of brushed aluminum

non-stick heat-conducting surface

- quick heating of the mandrel and unbroken pastry

4

#### Separate control for each drive delete completely

I can control both parts of the Hot Dog independently

- better controllability and energy saving

5

#### Power switch

standard mode and rapid heating mode

- possibility of faster heating up
- possibility to regulate the heating temperature

# Technical data sheet



## Technical parameters

### Hot dog machine 1 spike

<b>Model</b>	<b>SAP Code</b>	00001447
--------------	-----------------	----------

**1. SAP Code:**

00001447

**2. Net Width [mm]:**

210

**3. Net Depth [mm]:**

219

**4. Net Height [mm]:**

241

**5. Net Weight [kg]:**

2.07

**6. Gross Width [mm]:**

230

**7. Gross depth [mm]:**

230

**8. Gross Height [mm]:**

290

**9. Gross Weight [kg]:**

2.40

**10. Device type:**

Electric unit

**11. Construction type of device:**

Table top

**12. Material:**

Aluminium

**13. Power electric [kW]:**

0.100

**14. Loading:**

230 V / 1N - 50 Hz

**15. Maximum device temperature [°C]:**

100

**16. Protection of controls:**

IPX4

**17. Energy Saving system:**

Energy saving mode

**18. Indicators:**

operation and warm-up